

MICRO SPACES



Sistem Cube vacuum unit is the perfect solution for all buildings with small spaces (bungalows, holiday homes, student residences) but needing to offer the comfort and advantages of a central vacuum system.



INSTALLATION

Sistem Cube vacuum unit can be installed in residential buildings with the following features:

- Surfaces between 30 and 120 m² (3 inlets max.)
- Single level installation
- Suitable for 1 user
- Pipe network Ø 40 mm
- Installation with special pre-wired template
- 220/240 Vac supply
- Non-continuous use for household dust vacuum
- Air exhaust to the outside
- It can be installed in small spaces, such as cupboards, basin cabinets or balconies protected from weather.

Sistem Cube SELECTION TABLE

MODEL	Recommended surface	ARTICLE	Recommended vacuum inlets	Max. number of users
Sistem Cube*	120 m ²	8300.0	3	1

MAIN FEATURES OF THE PRODUCT



Vacuum unit with filtering bag



IP protection degree



Accessory cleaning kit included



Isolation class 2



Special for vertical buildings



Max number of users



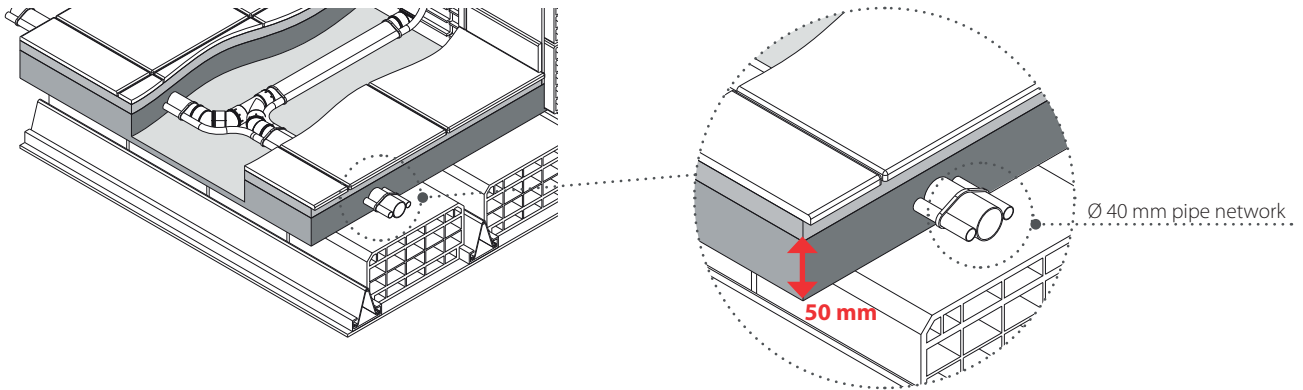
CE marking

SISTEM CUBE

■ Technical features

1 - Ø 40 mm pipe network, special for installations with reduced screed depth.

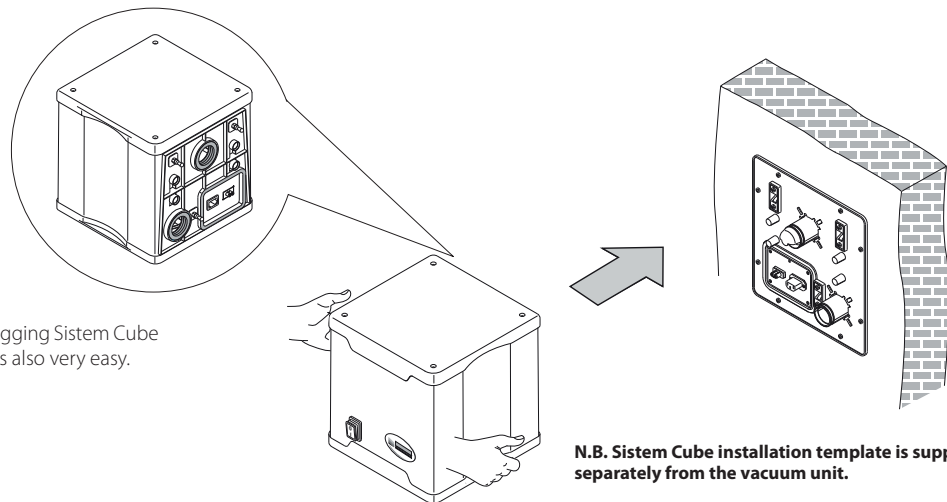
Sistem Cube vacuum unit has been designed for installations with **40 mm diameter pipe network** and is suitable for all situations where the floor screed has a reduced depth, or the existing installations have many overlapping pipes.



2 - Easy to install, thanks to its special installation template (art. 8300.10)

The installation template is the connection frame of Sistem Cube vacuum unit, it has been designed for easy and quick installation and its dust-inlet and air vent connections can rotate 360 degrees.

Note: vacuum and discharge connections are made on the template, together with electrical connections to micro line and supply network.



Thanks to the possibility of unplugging Sistem Cube from its template, maintenance is also very easy.

N.B. Sistem Cube installation template is supplied separately from the vacuum unit.

3 - The vacuum unit perfect for small spaces

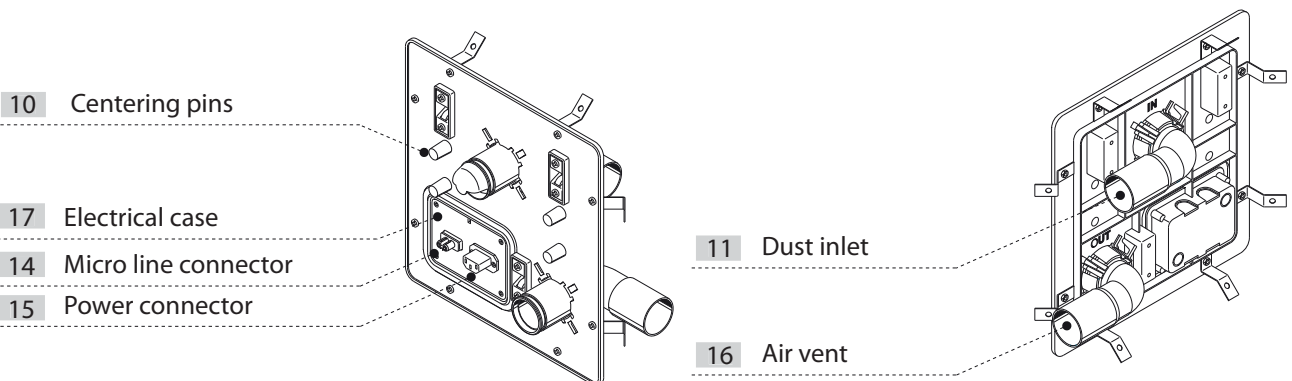
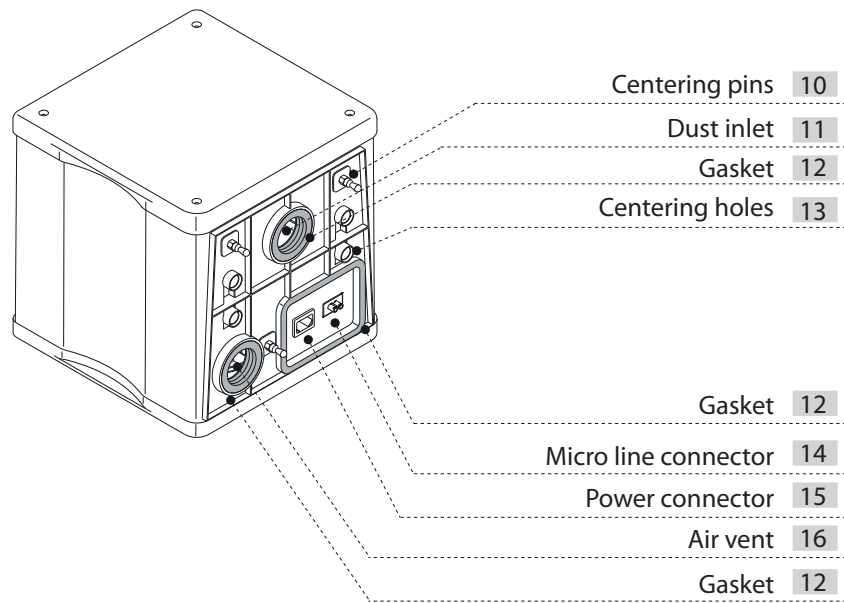
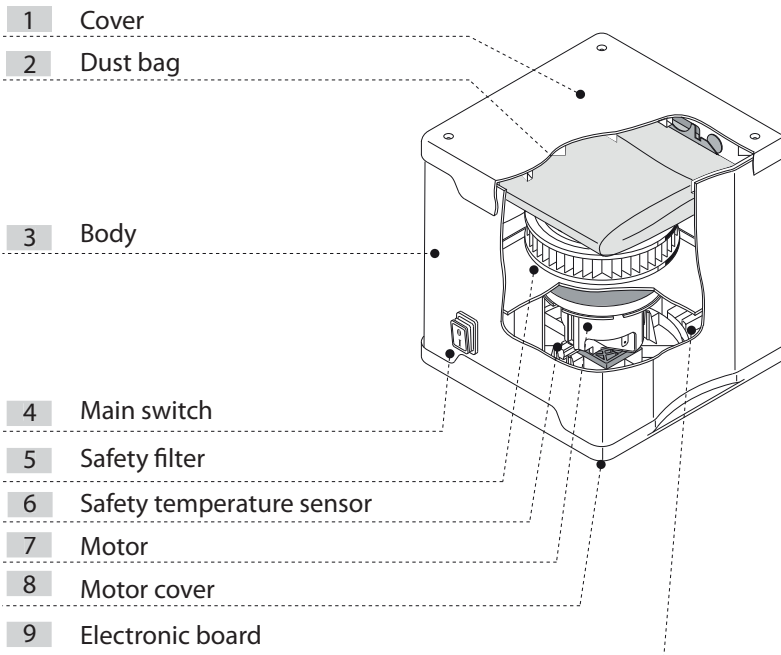


Thanks to its **small size**, Sistem Cube vacuum unit can be installed inside the kitchen cabinet, the wardrobe, behind the curtains or in any situation where it is possible to install a 30 cm cube.

This space doesn't need ventilation, as Sistem Cube vacuum unit has a direct-cooling motor without air inlet for cooling, because air is taken from vacuum inlets.



SISTEM CUBE SECTION

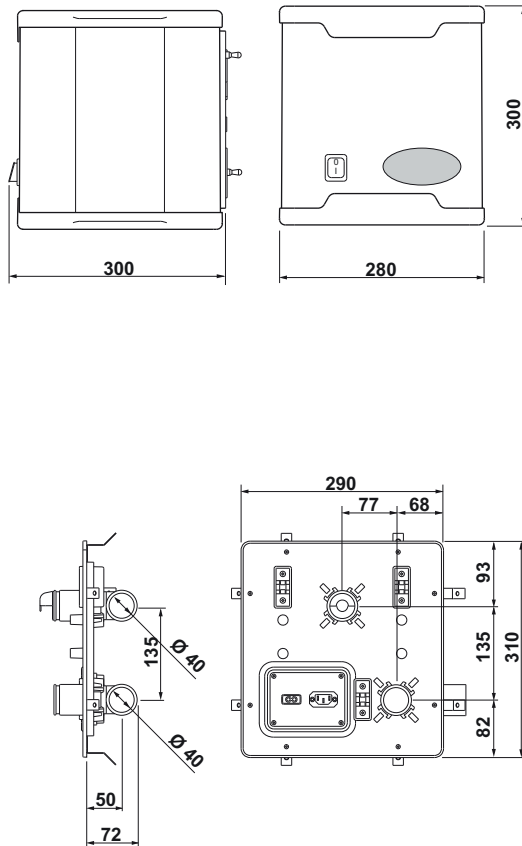


SISTEM CUBE

DIMENSIONS AND TECHNICAL DATA

Vacuum units can be used by one user.

We recommend following the detailed instructions on page 64, in order to ensure long life and best performance over time.



Sistem Cube		
Model Article	Sistem Cube	
	8300.0	
Maximum number of users		1
Suggested surface	m ²	120
Number of inlets recommended		3
Accessory cleaning kit		YES
Power supply	V ac	220/240
Frequency	Hz	50/60
Motor power	kW	1
Absorption	A	4,5
Maximum air flow	m ³ /h	178
Maximum depression	mbar	245
Vacuum inlets supply	V dc	12
Safety filter		SI
Dust bag capacity	l	5
Weight	Kg	4
Height	mm	290
Width	mm	310
Depth	mm	290
Dust inlet pipe	Ø mm	40
Air vent	Ø mm	40
Noise level lower than	dB(A)	70

N.B.: Nominal noise levels. Levels can vary according to the environment where the unit is installed and the type of installation.

CERTIFICATIONS

IP protection degree

IP 44

Electrical insulation



CLASS II: device with double electrical insulation

Sistem Cube line

Devices in compliance with the following standards:

- EC DIRECTIVES:
- 2006/42/CE
 - 2006/95/CE
 - 2004/108/CE

APPLIED HARMONISED STANDARDS :

- EN 60335-1 : 2012
- EN 60335-2-2 : 2010
- EN 61000-3-2 : 2006 + A2 : 2009
- EN 61000-3-3 : 2008
- EN 55014-1 : 2006 + A1 : 2009
- EN 55014-2 : 1997 + A2 : 2008
- EN 62233: 2008

ROHS DIRECTIVE 2002/95

COMPLIANCE WITH REACH DIRECTIVES

N.B.: installation must be carried out in strict compliance with the regulations in force.

TECHNICAL FEATURES

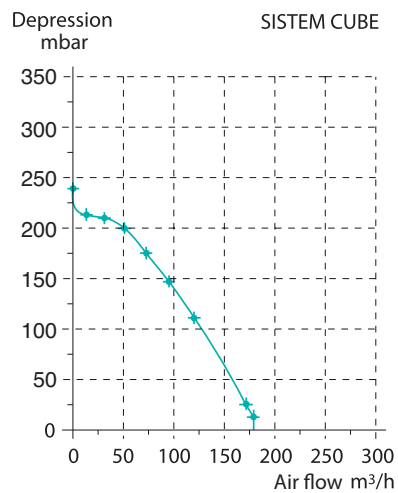
Sistem Cube central vacuum cleaners are made of plastic materials, polypropylene and ABS, giving strength and durability to the structure, with a pleasant aesthetic line.

They are designed and produced in conformity with all regulations in force and European directives but also take into account functionality, power and capacity.

Additional features:

- Polypropylene body.
- Dust filtering bag, capacity 5 litres.
- Soundproof motor compartment (noise level under 70 dB A).
- Pre-installation template with air inlet and air discharge adjustable at 360°.
- Last generation direct cooling motor.
- Water washable safety filter.
- Control board with protection fuse.
- Safety temperature sensor which protects the motor with automatic stop and start.
- Vacuum inlets supply 12 V.
- Possible installation with complete installation kits, Ø 40 mm, with 1, 2 or 3 vacuum inlets.
- Option of connecting a remote wall panel that can be installed with all vacuum units.
- The vacuum unit is supplied with silencer and sleeves for pipe connection.

PERFORMANCE GRAPHS



INSTALLATION

The vacuum units have a connection with the air discharge in their special template, in order to expel dust particles that the filter cannot hold.

They can be placed in technical rooms, basements, under stairs, utility rooms, etc.

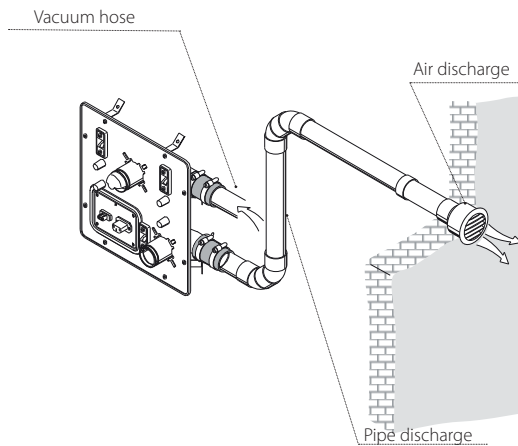
Thanks to IP44 insulation level it is possible to install them in the open air, such as balconies protected from bad weather.

It is recommended to identify the best location for the central unit with respect to the system in the design phase, leaving a reasonable space for installation, use and maintenance.

SISTEM CUBE

PIPE NETWORK CONNECTION

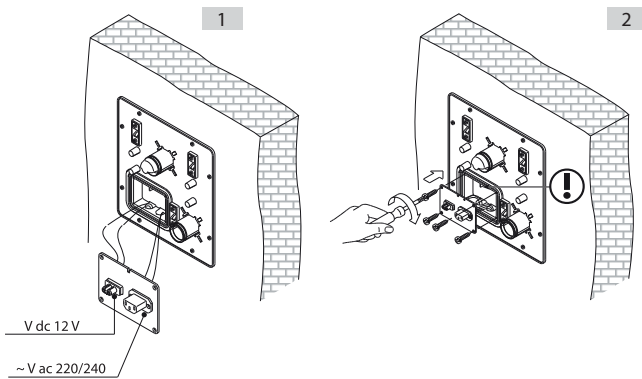
Sistem Cube vacuum units are connected to pipe network through the special template with pre-wired electrical connections.



WARNING: if the discharge pipe is longer than 5 meters it is necessary to install a larger diameter tube (e.g. 50 mm) in order to reach the optimal conditions for air expulsion.

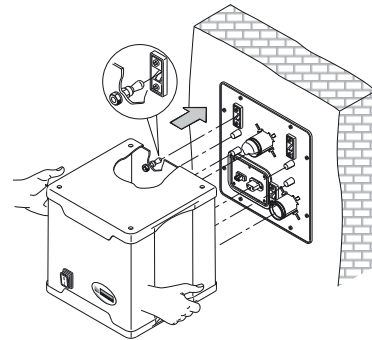
TEMPLATE WIRING

- 1 - Wire the panel connectors to the cables arriving from the template electrical case.
- 2 - Screw the panel to the template, paying attention to the centering notch.



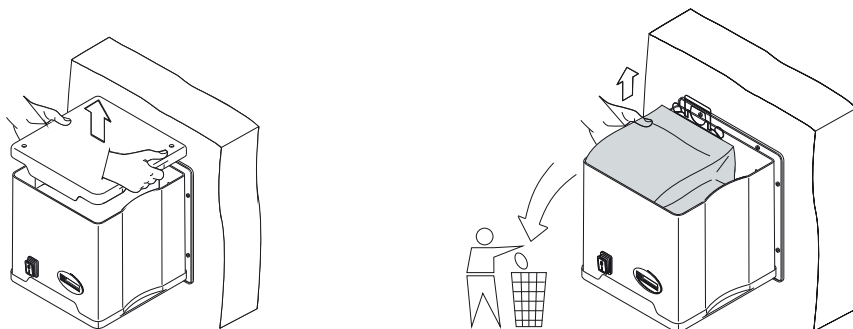
VACUUM UNIT INSTALLATION

Vacuum units are connected through centering pins on the special installation template. This must be securely, permanently fixed to the wall with anchors, taking into account that the total weight to be supported can be significantly heavier than the vacuum unit itself (see technical data).

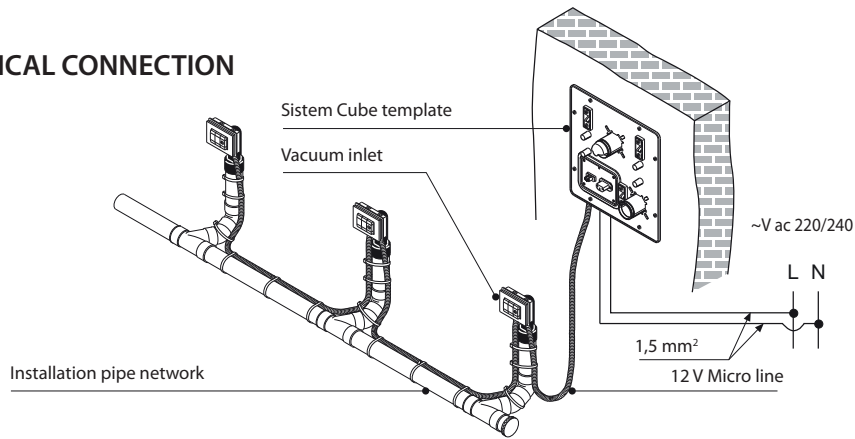


DUST BAG REPLACEMENT

Dust bag replacement with Sistem Cube is easy and quick: just lift the cover and remove the paper dust bag from the air vent connection, close the flap and discard.



ELECTRICAL CONNECTION



N.B. If a fuse must be replaced, ensure it has the correct amperage and it is a 16A retarded-motor. During installation adhere rigorously to IEC and national power supply regulations.

MAINTENANCE AND ASSISTANCE

Programmed routine maintenance of central vacuum units must be done according to the instructions of the technical manual. In particular, these routine maintenance cycles concern filter cleaning, dust bag replacement, checking that the electric motor works correctly, possible air discharge obstruction checking. All extraordinary maintenance operations must be carried out by qualified and/or authorised staff. For more details, technical information and assistance please visit our web site sistemair.com



Sistem Cube vacuum unit is the ingenious solution for all small spaces. Thanks to its compact design, rationality and power, it is suitable for all installations where available space is strictly limited. To never lose the vacuum system benefits.

