

Industrial Clean

big/small

Industrial Clean dust separators are equipped with the computer that can manage the whole industrial vacuum system:

- They manage up to 8 simultaneous motors, all connected to the same separator;
- They can measure the depression of the installation and automatically adapt the motor speed
- They are equipped with the software that manages the Autocleaner system, in order to use it immediately.

The technology has the aim of simplifying use and offering maximum reliability: this, together with design are ongoing commitments from Sistem Air. The result is a product without equal.



■ **SELECTION TABLE Industrial Clean**

Motor air flow	MODEL	ARTICLE	Recommended number of users with Ø 32 pipe	Recommended number of users with Ø 40 pipe	Maintenance computer	Dust container capacity (l)	Filtering surface (cm ²)	Supply V ac
Up to 700 m ³ /h	Industrial Clean Small	3403.0	4	3	YES	62	24000	220/240
Up to 1200 m ³ /h	Industrial Clean Big	3403.1	8	4	YES	106	43400	220/240

■ **SYNTHETIC CHARACTERISTICS**



Maintenance computer



IP protection degree



Optional automatic filter cleaning



Isolation class 1



CE marking

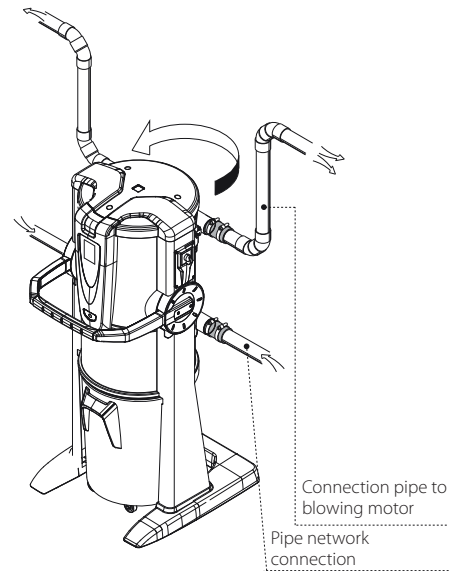


Modular system with no limits

INDUSTRIAL CLEAN

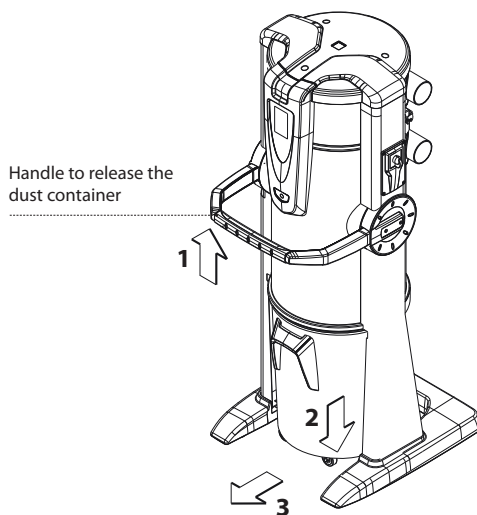
PIPE CONNECTION

Connections to pipe network and to air exhaust can be made on the left or the right side of the vacuum unit.



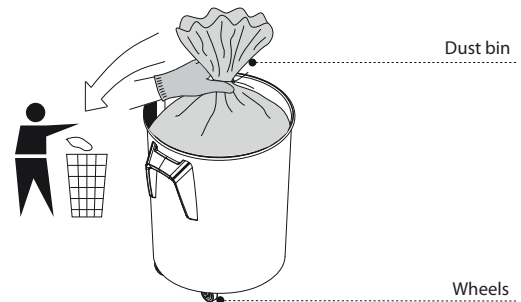
EASY BIN EMPTYING

Industrial Clean dust separators have a dust container with an easy opening system and a soft touch, easy to open handle coated in shockproof material.



DUST CONTAINER WITH WHEELS

Thanks to its wheels, the dust container can be moved easily.



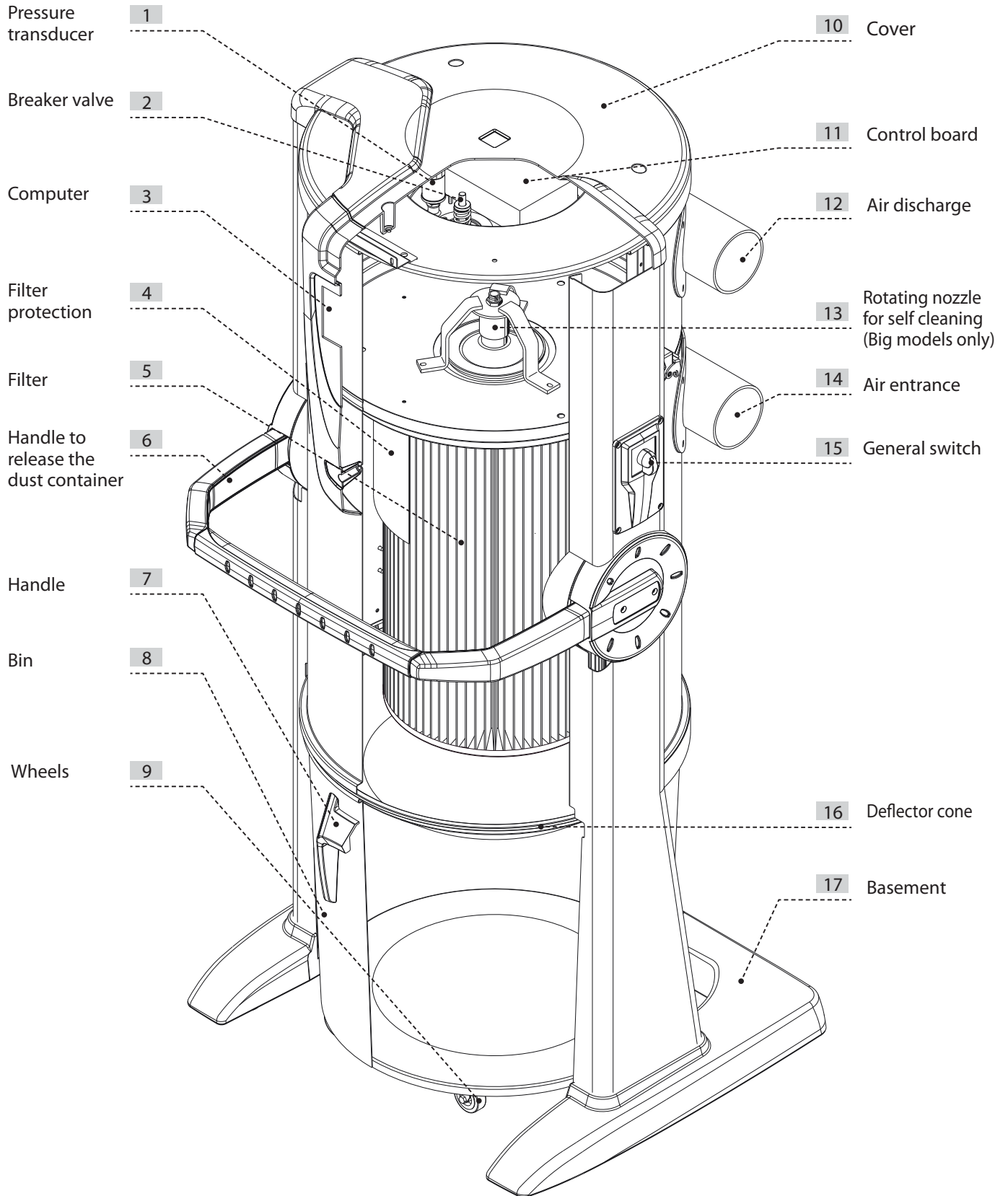
TECHNICAL FEATURES

Industrial Clean dust separators are designed and produced in conformity with all current regulations and European directives, whilst taking into account functionality, power and capacity.

Main technical characteristics can be listed as follows:

- Single-phase power supply
- Mechanical breaker valve that manages the vacuum flow
- Possible piping connection from the right, or from the left side, independently of each other, for the connection to the vacuum pipes and the blowing motors
- Maintenance computer with touchscreen interface
- Pressure transducer
- Automatic adjustment of vacuum power (Sistem Air exclusive)
- Manual selection of the maximum vacuum power
- Metal cylindrical frame painted with epoxy powder
- Base coated with anti-shock material to protect the vacuum unit
- Metal dustbin with wheels (capacity 62/106 litres)
- Bag with bag stretchers inside the dustbin, to dispose of dust quickly and hygienically
- Class M polyester filter, water washable (filtering surface 24.000/43.400 cm²).
- Vacuum inlets supply 12V
- Connection RS485 between Industrial Clean separators and blowing motors (Matic models)
- Possibility to combine, even after installation, the automatic filter cleaning system Autocleaner (see page. 65).

Industrial Clean SECTION



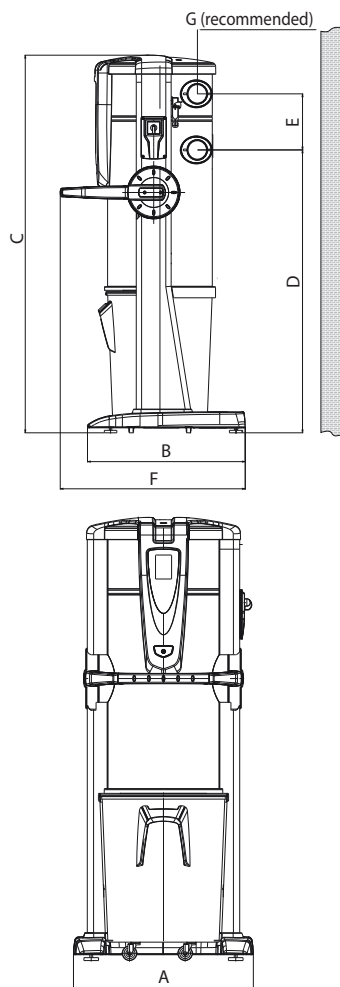
INDUSTRIAL CLEAN

MEASUREMENT AND TECHNICAL DATA

Industrial Clean Small and Industrial Clean Big dust separators are suitable for innumerable solutions of use, thanks to their versatility and ability to be matched with the other components of an industrial central vacuum system. Dust containers are available in two high-capacity sizes and can be used in small, or big industrial applications.

The choice must be made according to the total air flow of the motors to which they are matched, the number of users and the updating of the Autocleaner system.

As dust separators are a component of the system, we recommend making a choice after careful global assessments, taking into account the needs and the features of the system, but also the other components required to get a complete vacuum system.



		Industrial Clean	
Model Article		Industrial Clean Small	Industrial Clean Big
		3403.0	3403.1
Maintenance computer		YES	YES
Breaker valve		YES	YES
Protection degree	IP	20	20
Supply	V ac	220/240	220/240
Frequency	Hz	50/60	50/60
Filtering surface	cm ²	24000	43400
Dust bin capacity	l	62	106
Weight	kg	53	67
Measure A	mm	615	750
Measure B	mm	633	633
Measure C	mm	1515	1616
Measure D	mm	1135	1148
Measure E	mm	281	281
Measure F	mm	745	745
Measure G	mm	600	600
Measure M (air entrance)	mm	80	100
Measure N (air exhaust)	mm	80	100

APPROVALS

CE CE marking

IP protection degree

IP 20

Electrical insulation

CLASS I:



Industrial Clean Line

Device in compliance with the following standards:

EC DIRECTIVES:

- 2006/42/CE
- 2006/95/CE
- 2004/108/CE

APPLIED HARMONISED STANDARDS :

- EN 60335-1 : 2012
- EN 60335-2-2 : 2010
- EN 61000-3-2 : 2006 + A2 : 2009
- EN 61000-3-3 : 2008
- EN 55014-1 : 2006 + A1 : 2009
- EN 55014-2 : 1997 + A2 : 2008
- EN 62233 : 2008

ROHS DIRECTIVE 2002/95

COMPLIANCE TO REACH DIRECTIVES

N.B. installation must be carried out in strict compliance with current regulations.

INSTALLATION HINTS

Dust separators are equipped with an air discharge connection, in order to expel dust particles that the filter cannot hold. They can be placed in soundproofed technical rooms or utility rooms (for example garages, basements, etc...) to protect the other rooms from noise and to keep them protected from bad weather, humidity and temperature extremes. Keep away from heat sources, such as stoves or radiators. (N.B. IP protection degree 20).

In the design stage, we recommend identification of the best location for the central unit with respect to the system, leaving a reasonable space for installation, use, maintenance, a proper air exchange around the unit and passive acoustic requirements of the building.

If the system is installed in a building with several floors, we suggest placing the vacuum unit on the bottom floor.

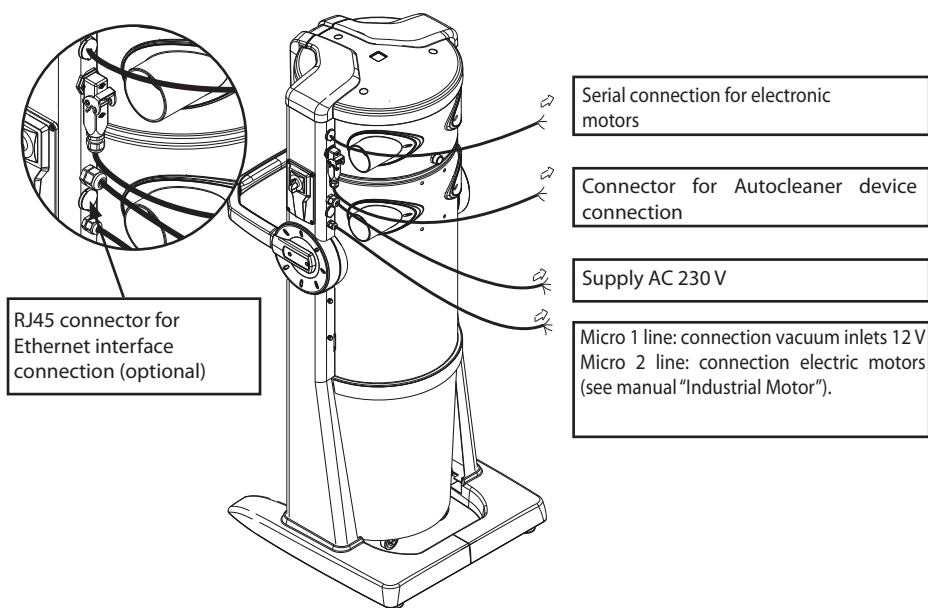
In case of exposed pipes, to avoid the sediment of dusts on the walls close to the pipes caused by static charges, we recommend making the pipe network with metal pipes, connected to the ground.

INSTALLING THE CENTRAL UNIT

The separator does not require special anchoring. However, it is important to check that the area for installation has the following minimum requirements, in order to be correctly and securely positioned.

- a perfectly flat, horizontal and solid surface, without cracks.
- a vibration free surface. Furthermore it is essential that there are no disconnections that could make the central unit instable.

ELECTRIC CONNECTION



MAINTENANCE AND ASSISTANCE

Programmed routine maintenance of central vacuum units must be done according to the instructions in the technical manual and on the display.

In particular, these routine maintenance cycles concern filter cleaning, emptying of the dust-bin, checking that the electric motor is working correctly, possible air discharge and obstruction checking.

All extraordinary maintenance operations must be carried out by qualified and/or authorised staff.

For more details, technical information and assistance please visit our web site sistemair.com