

Autocleaner is the innovative system of automatic filter cleaning, independent from the body of the vacuum unit, so as to make it installable later or, more simply, more manageable in case of maintenance operation.



SELECTION TABLE

ARTICLE	DESCRIPTION	PACKAGING Pc.
3600.0U	Autocleaner Universal system	1

SYNTHETIC CHARACTERISTICS



CE mark



IP protection degree



Isolation Class 1

DISTINCTIVE FEATURES OF THE PRODUCT

1 - Universal system

Designed to simplify and standardise its installation as much as possible, Autocleaner can be applied to the models listed below, both during system installation and later.



✓ TecnoStar Dual Power



✓ Revo Block Professional (full range)



✓ Industrial Clean (both models)

2 - Maintenance free

Thanks to its components, Autocleaner doesn't need maintenance.



3 - Immediate use

The connection to the vacuum unit is made just connecting the compressed air pipe to the vacuum unit and inserting the multipolar electrical connector into the input provided on the vacuum unit. At this point the self-cleaning system can be activated by the computer of the unit.

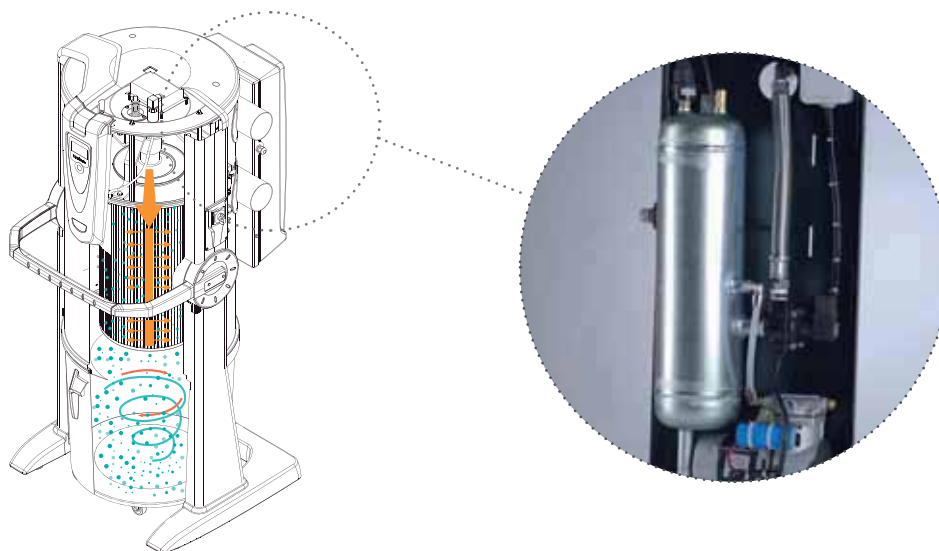
AUTOCLEANER

4 - Management software present on the unit , that manages:

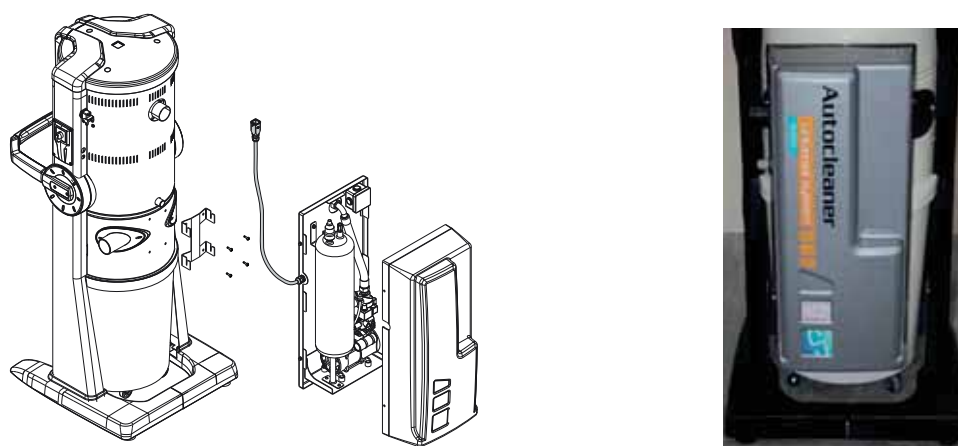
- Selection of Autocleaner series
- Change Autocleaner working times
- Eliminate the Autocleaner cycles in the night hours

5 - Great efficiency

The use of a jet of compressed air is the most effective method to rid the filter of the vacuum cleaner by the dust: Autocleaner combines this efficiency with ease of installation, packaged in an extremely professional product.



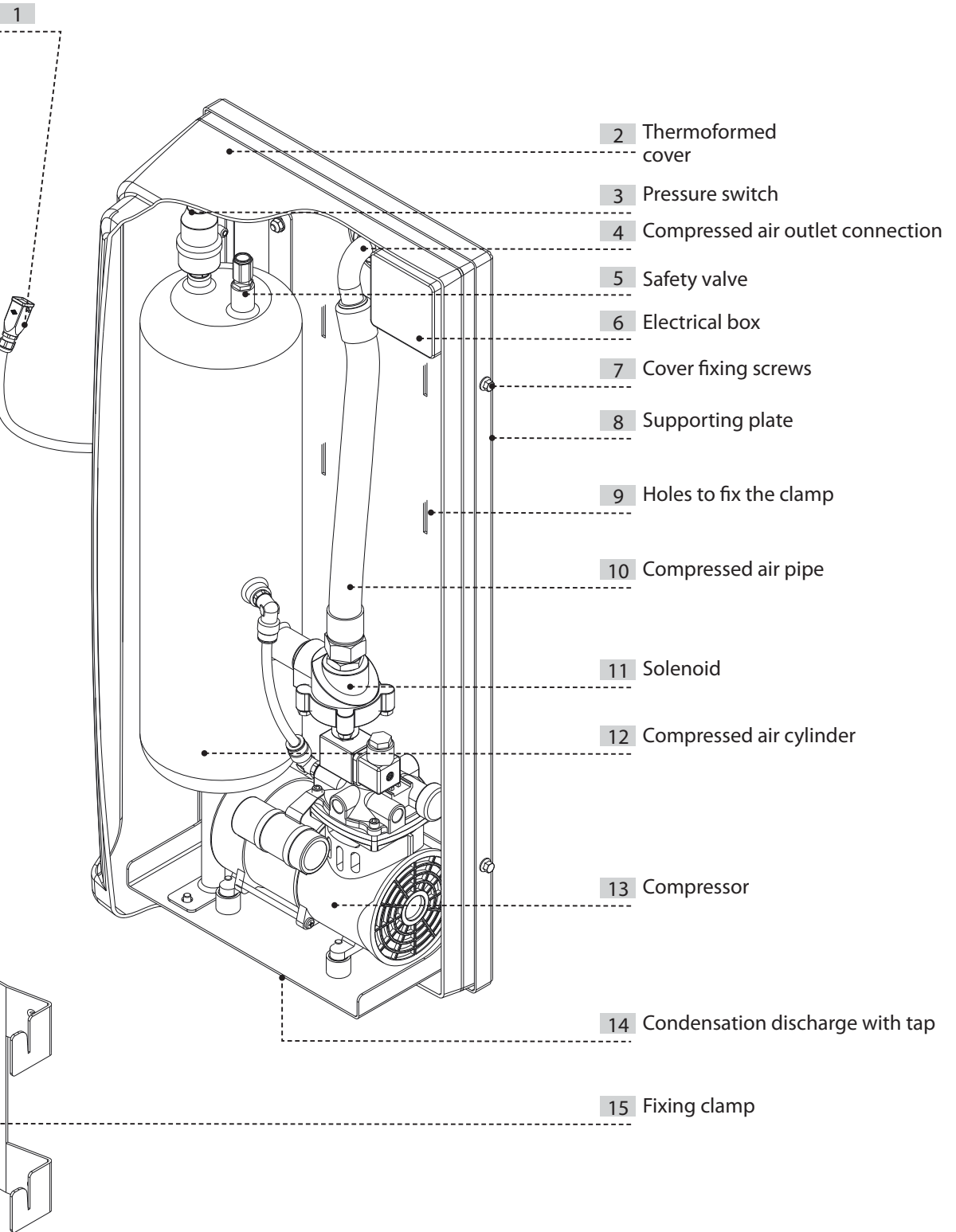
■ INSTALLATION



- 1 - Remove the four screws on the back part of the cylinder and use them to fix the support clamp supplied with Autocleaner.
- 2 - Hook the Autocleaner device to the support and make electric and pneumatic connection.

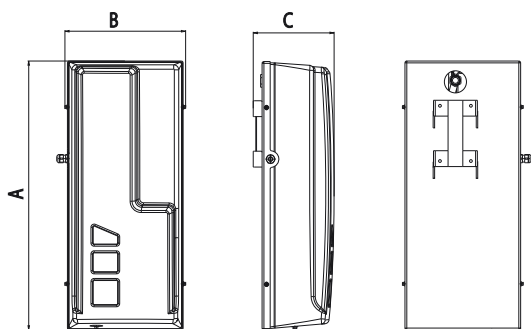
AUTOCLEANER SECTION

Multipolar connector



AUTOCLEANER

MEASUREMENT AND TECHNICAL DATA



Autocleaner		
Model Article	Autocleaner	
	3600.0U	
Air exit	Ø"	3/4
Protection degree	IP	40
Power supply	V ac	220/240
Frequency	Hz	50/60
Power	W	250
Absorption	A	1,3
Air pressure	bar	3,5
Cylinder capacity	l	6
Measurements A	mm	730
Measurements B	mm	328
Measurements C	mm	220

APPROVALS

IP protection degree



Electrical insulation



CLASS 1

EC DIRECTIVES:

- 2006/42/CE
- 2014/35/UE (VLD)
- 2014/30/UE (EMC)

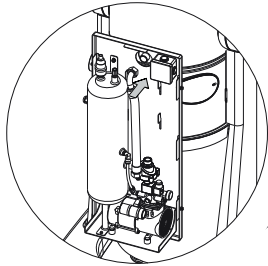
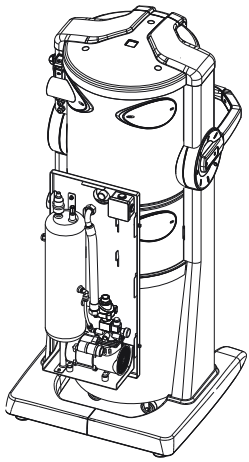
ROHS DIRECTIVE 2002/95

COMPLIANCE TO REACH DIRECTIVES.

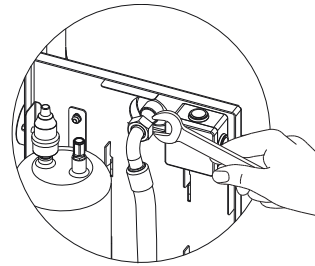
Device in compliance with the following directives:
Autocleaner - automatic cleaning filter system

N.B. installation must be carried out in strict compliance with current regulations.

PNEUMATIC CONNECTION

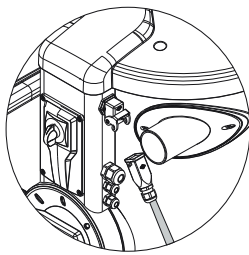


1 - After connecting the Autocleaner on the fixing bracket, position the compressed air hose fitting at the entrance at the rear on the back part of the vacuum unit.

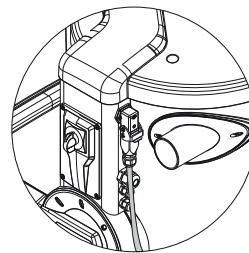
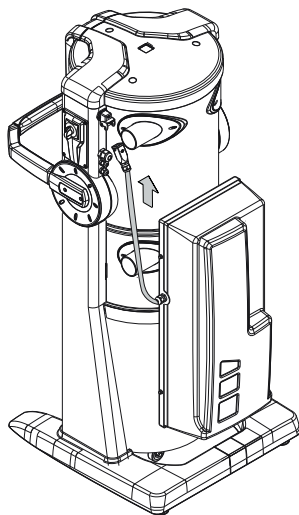


2 - Screw the connection (female) on the entrance (male) using the supplied gasket, keeping it tight.

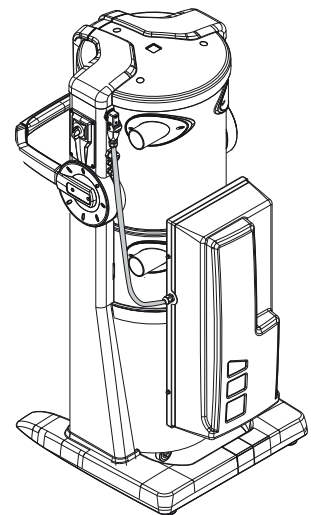
ELECTRIC CONNECTION



1 - Remove the connector cap on the vacuum unit.



2 - Connect the plug on the Autocleaner and close the safety catch.



Autocleaner

universal system

Great flexibility in scheduling the execution of pneumatic cleaning of the filter, to always have the maximum effectiveness of the system.

